

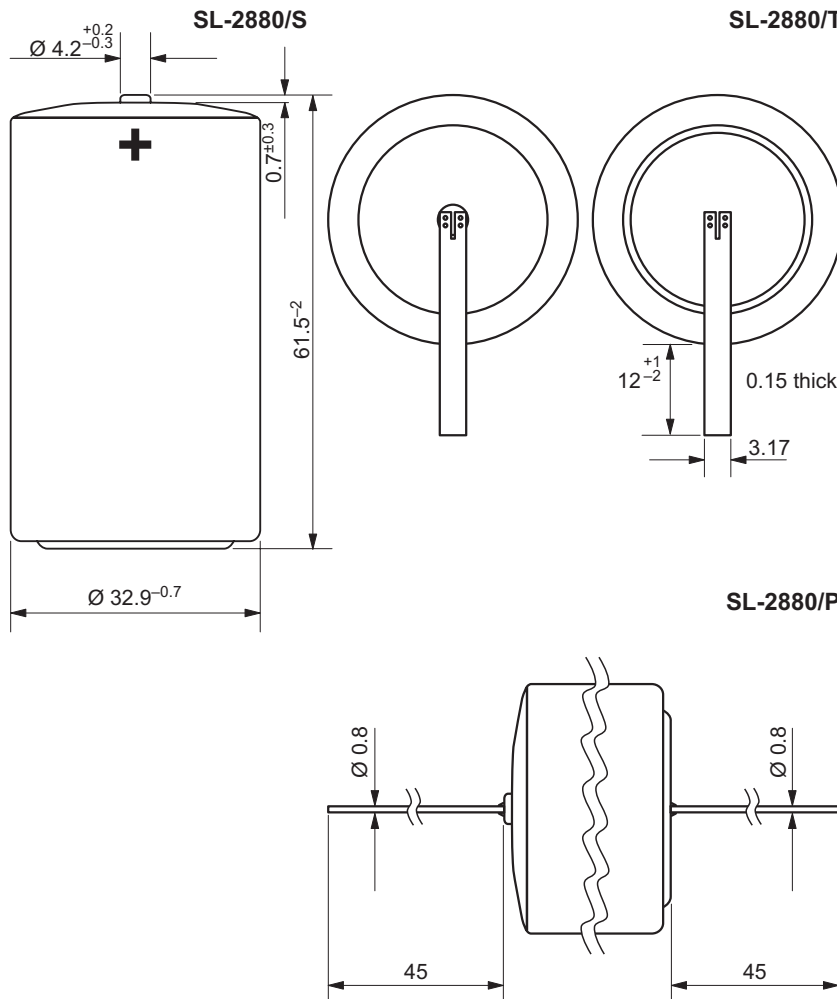
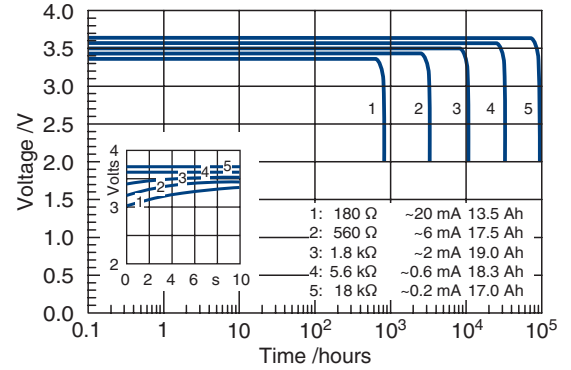
Tel.: +49(30) 4111024
 Fax: +49(30) 4111025

Keyword:
XOL – Extended Operating Life

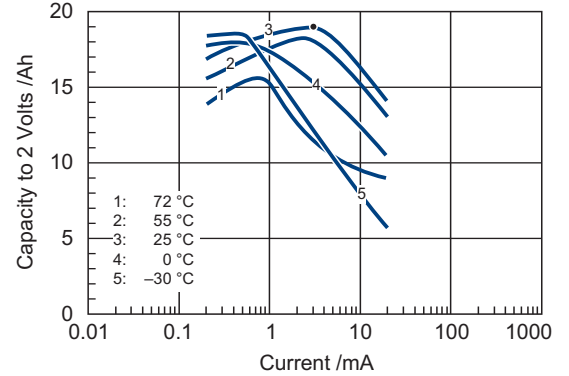
Model:	SL-2880
Performance Data (Typical values for batteries stored at 25 °C for one year)	Size D
System	Li/SOCl ₂
Nominal voltage	3.6 V
Nominal capacity	19 Ah
Nominal current	4 mA
Max. continuous discharge current	100 mA
Max. pulse current capability	250 mA
Anode surface area	45 cm ²
Lithium content	5 g
Weight	93 g
Volume	51 cm ³
Temperature range	-55...+85 °C

WARNING:
 Fire, explosion, and severe burn hazard. Do not recharge, disassemble, heat above 100 °C, incinerate, or expose contents to water.
 UL recognition under file MH 12827
 See also our website under Products/Safety

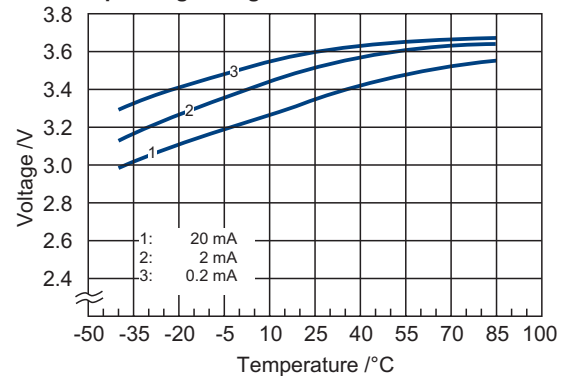
Typical Discharge Curves at +25°C



Available Capacity



Operating Voltage



Available Terminations

SL-2880/S Standard
 SL-2880/T Tags
 SL-2880/P Pins

Catalogue No.

11 2 18801 00
 11 2 18802 00
 11 2 18803 00

Any values given here are for information purposes only. They also depend on actual conditions of use and are not warranties of future performance. Subject to change.